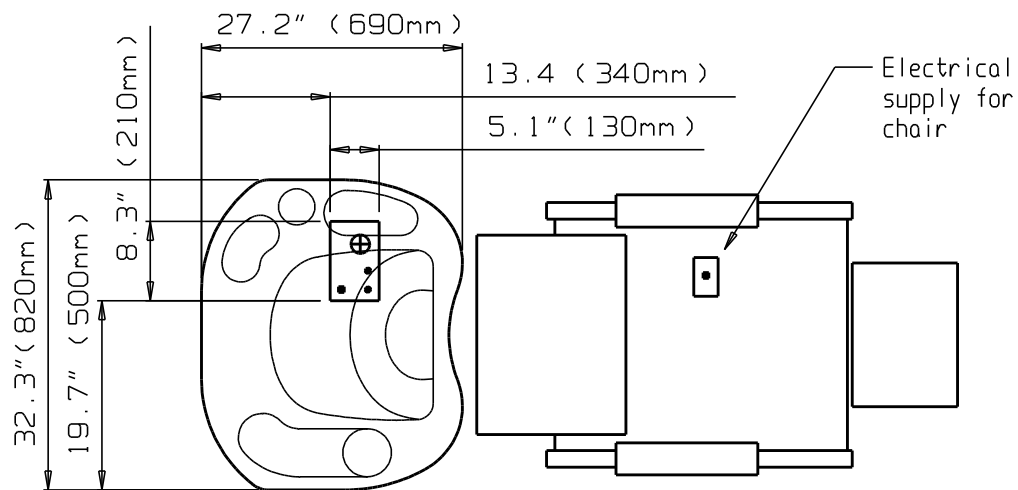
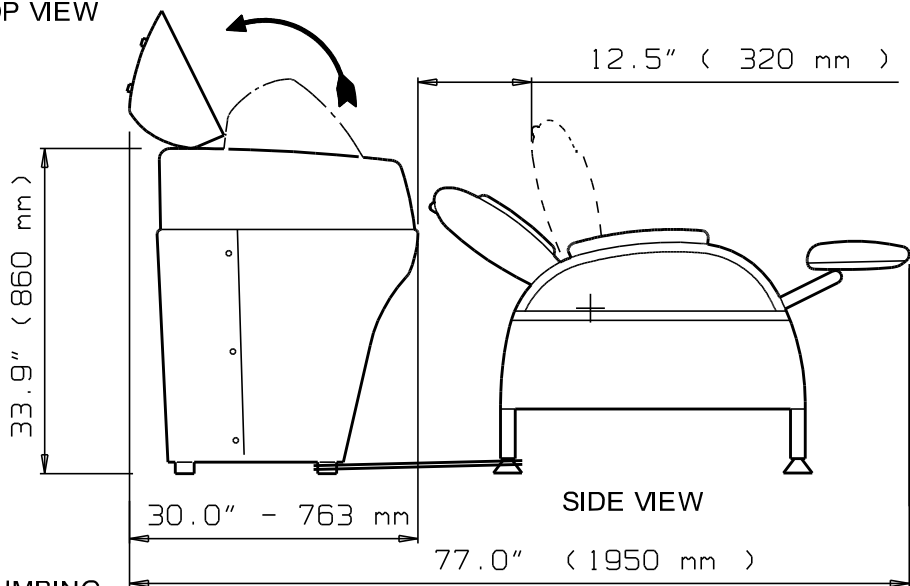


NOTE:- THIS IS TO BE USED AS A GUIDE ONLY, THE MANUFACTURER RESERVES THE RIGHT TO AMEND SPECIFICATIONS WITHOUT PRIOR NOTICE

26 June 2008



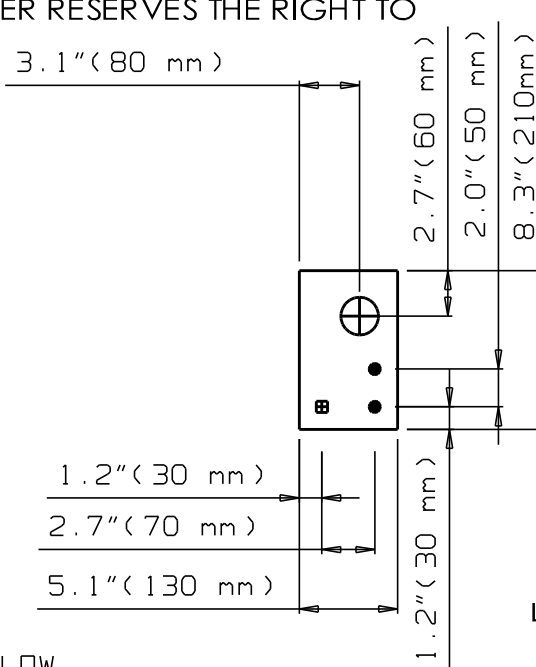
TOP VIEW



SIDE VIEW

PLUMBING

- * 1/2" inch Hot and Cold water supply lines required
- * Supply pressure range 43.5 - 100 psi (300 - 700 Kpa)
- Supply Hot water requirement of up to approximately 1.75 gpm (7.5 Lpm) @ 122 F (50 celsius) or higher.
- Average water consumption per treatment is 10 gallons (40 Litres)
- NOTE - If instantaneous water heater used, it must activate at 0.2 gpm (1 lpm)
- * 1 1/2 inch trapped drain required. Maximum drainage flow 6 gpm (25 Lpm)
- * Water purifier MUST be fitted if supply water is not clean. In areas where water hardness exceeds 80 ppm a water softener must be fitted.



LEGEND

- ELECTRICAL CABLE
- HOT AND COLD WATER
- ⊕ DRAIN

Electrical Rating - SUZI

- * 120 volt, 60 Hz, 14 Amp , 1.29 KW
- OR
- * 230 volt, 50 Hz, 7 Amp , 1.29 KW

CHAIR

- * 120 volt, 60 Hz, 2 Amp, 60 Watt
- OR
- * 230 volt ,50 Hz, 2 Amp, 60 Watt

IMPORTANT

A dedicated electrical circuit MUST be provided to SUZI and CHAIR protected by a class 'A' GFCI / ELCB located and mounted in accordance with local and National codes. Read this document in conjunction with schematic drawing.

GFCI = Ground Fault Circuit Interrupter
ELCB = Earth Leakage Circuit Breaker

" SUZI " LAYOUT



HydroCo (Australia) Pty. Ltd. HydroCo (USA)
+61 3 8770 4000 - PHONE 310.381.0071 - PHONE
+61 3 9773 6122 - FAX 310.381.0072 - FAX

www.hydroco.com